

NOVIKBLOCK™ - SURFACE BLOCK INSTALLATION GUIDE

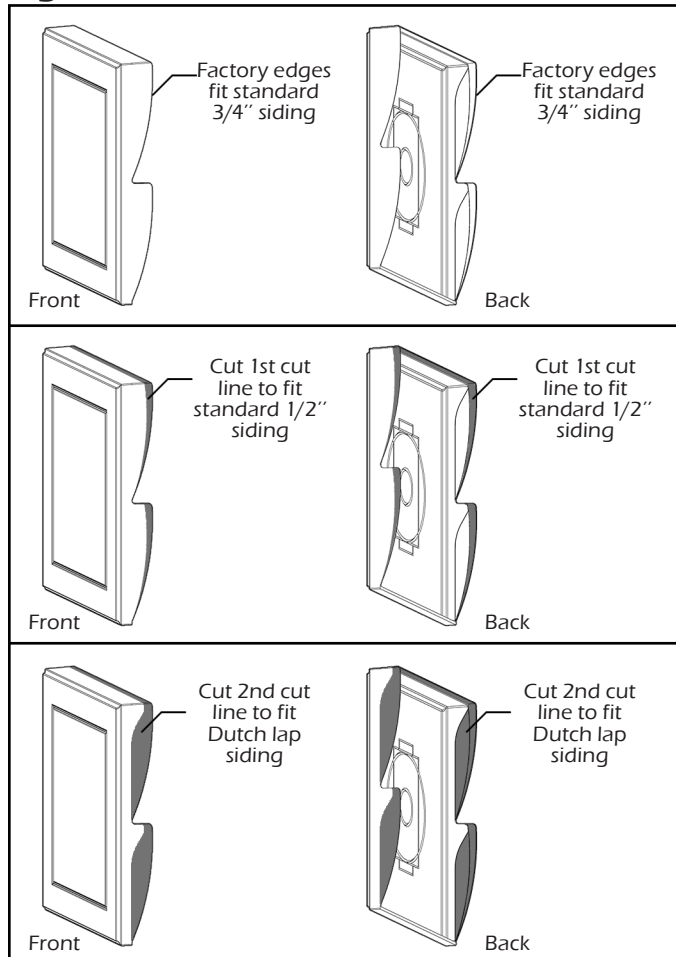
INSTALLATION STEPS

CAUTION: VERIFY WITH LOCAL AUTHORITIES AND THE CURRENT BUILDING CODE IN ORDER TO IDENTIFY THE REQUIREMENTS FOR ALL ELECTRICAL CONNECTIONS BEFORE BEGINNING THE INSTALLATION.

1-First, locate the desired position of the surface block on wall and when it's necessary, cut the block's edges to fit the siding profile. (Figure A)

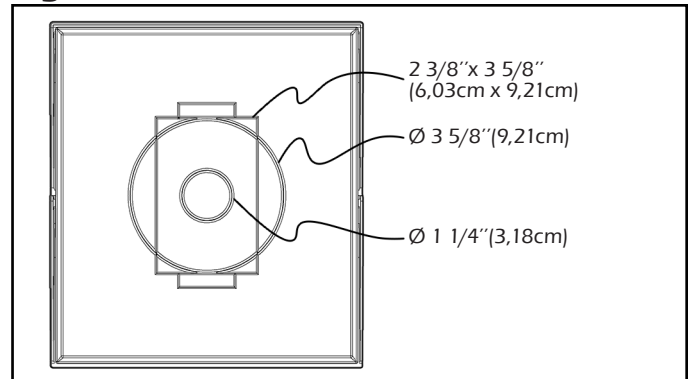
- Factory edges fit standard 3/4" profile siding.
- 1st cut line is for standard 1/2" profile siding.
- 2nd cut line is for D4.5 Dutch lap siding profile.

Figure A



2-Cut required opening on the surface block as needed. Use inside cut lines as reference. (Figure B)

Figure B



3-Apply a small bead of sealant on surface block top edge portion. Place surface block over siding and hold in place while making wire connections needed. Then attach the fixture to the wall using fixtures mountings hardware going through the surface block to secure it between siding and light fixture. (Figure C)

Figure C

