

NOVIKBRICK HL FAUX BRICK INSTALLATION GUIDE



GENERAL INFORMATION

CAUTION: REMEMBER THAT POLYMER UNDERGOES EXPANSION/CONTRACTION DUE TO VARIATIONS IN TEMPERATURE. THE FOLLOWING INSTRUCTIONS WILL ALLOW FOR THE EXPANSION / CONTRACTION OF THE MATERIAL.

1-Always begin the installation at the lowest part of the structure, from left to right.

2-Always nail through the installation holes. These holes include a polymer film, which permits for precise centering of the nail, allowing the expansion and contraction of the material. Each complete panel must be nailed through the center hole, at both extremities and have a minimum of 5 nails in the nailing channel at maximal intervals of 16" (40,64cm) or less and one nail in the lateral hole (Figure 1). If panels are installed on a furring wall, furring strips should be at 8" (20,32cm) center to center and a furring strip is required behind each nail. Always use non-corrosive nails or screws with a head of 0.4" (1cm) in diameter and a body of 0.150" (0,38cm) in diameter and penetrate a minimum of 1 1/4" (3,18cm) into a solid surface.

3-Never hammer the nail in completely. Leave a gap of 1/16" (0,16cm) (Figure 2).

4-Make sure that all pieces are properly joined together (Figure 3).

5-When using finition trim leave a gap of 1/4" (0,64cm) between the trim and the siding (Figure 4). The required opening for finition trim is 3/4" (1,91cm).

Note:

- To cut the material, it is recommended to use a circular saw with a finishing blade.
- Keep the R-E-L number of your products (ex: REL-123456) for future references.

Figure 1

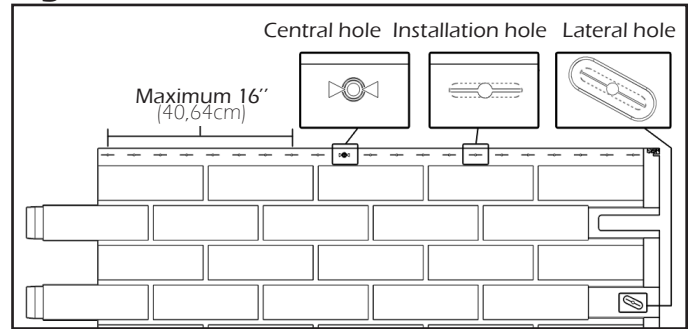


Figure 2

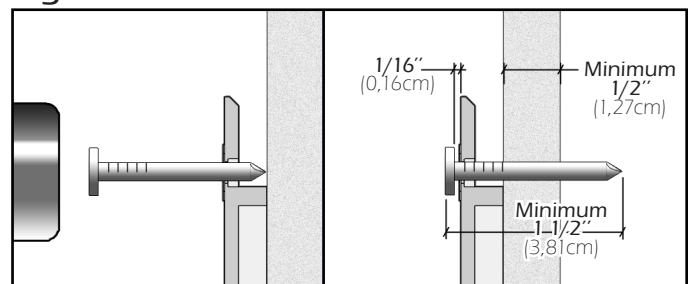


Figure 3

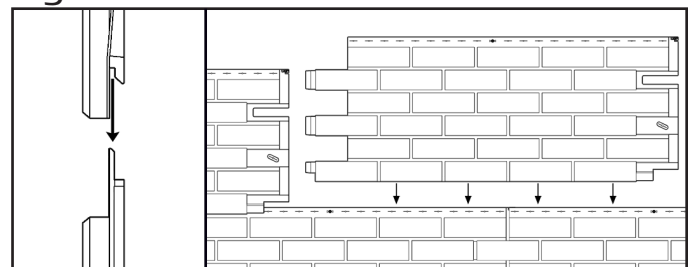
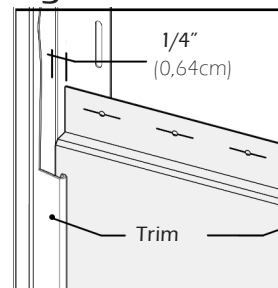


Figure 4



Some elements of the image above were partly removed to facilitate understanding.

INSTALLATION STEPS

1-First install the starter strips at the lowest point of the structure. Make sure that the horizontal starting line is perfectly leveled and square with the wall. Leave a 2 1/2" (6,35cm) gap at each end of the wall when using decorative corners (1). If a floor is against the wall you must leave a gap of 1/8" (0,32cm) between the starter and the floor (2). If there is no floor, starter strips should be flush with the base of the wall. Nail the starter strips through the nailing holes at maximal intervals of 8" (20,32cm) or less. Do not forget to nail in the center hole (3). Install the next starter strip by sliding it leftward to the stopper in the previous one and nail it as mentioned above (4)(Figure A).

2-When using decorative corners, cut the left side of a panel and slide it over the corner base. See «Decorative corners installation» for details. When using outside corner or J-trim, cut the left side of a panel in a straight line, insert panel into starter strip and slide it in the trim. Leave a space of 1/4" (0,64cm) between the inside wall of trim and the siding (Figure B). Measure the wall length to determine where to cut your first panel in order to avoid having a very small piece at the right end of the wall. Be sure to align adjacent walls.

3-On each panel, hammer a nail into the center hole of the panel, this will ensure even movement of panel in both directions during expansion/contraction. Also hammer a nail into the last hole on both ends, into the lateral hole and 2 other nails into nailing channel (Figure C). Each full length panel should be secured with a minimum of 6 nails. If the panel is installed on a furring wall, a furring strip is required behind these holes. Note: If a panel piece does not have the initial center hole in the middle, drill a new center hole of 1/8" (0,32cm) diameter at the same height as the other installation holes.

Figure A

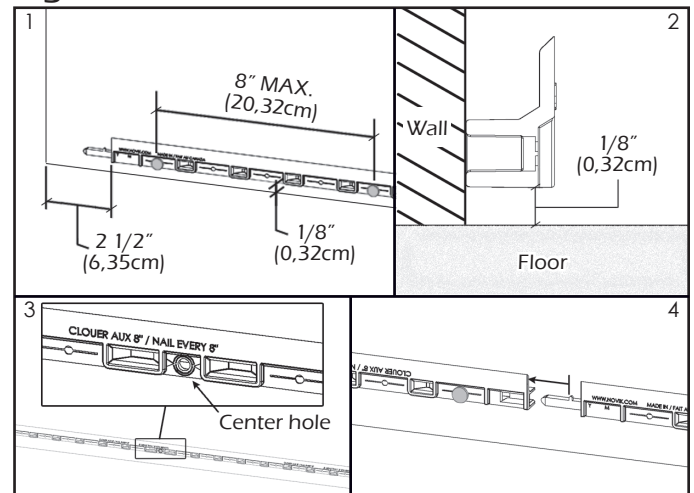


Figure B

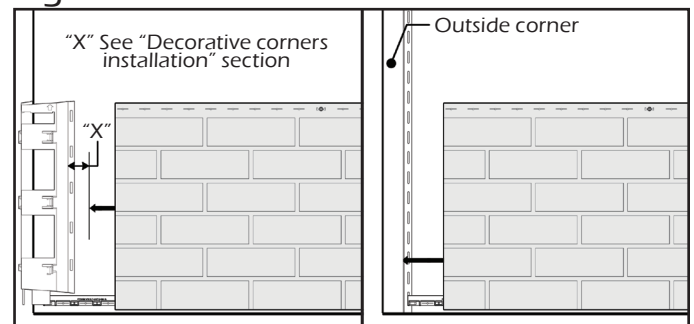
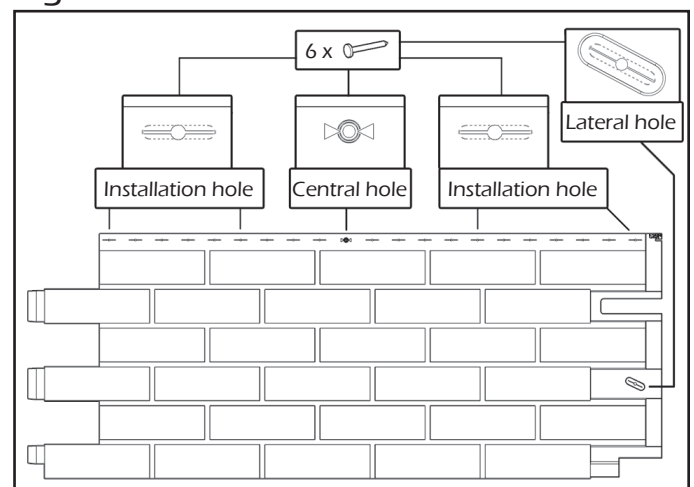


Figure C



NOVIKBRICK HL FAUX BRICK INSTALLATION GUIDE

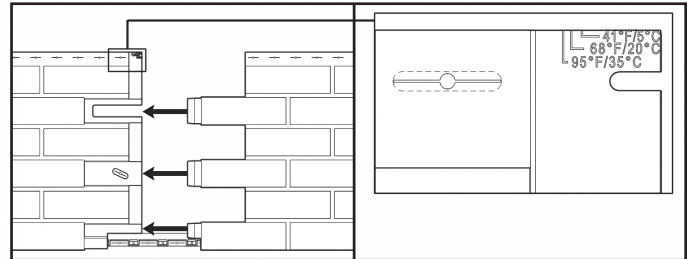


BARRON
DESIGNS

INSTALLATION STEPS (CONTINUATION)

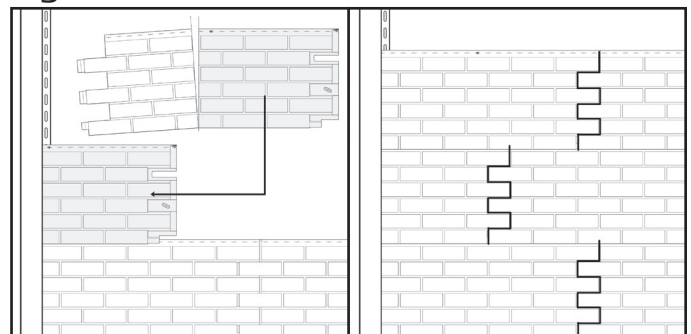
4-Install the following panel by hooking it onto the starter strip and sliding over the previous panel. Make sure that the tabs on both sides are locked together and spaced equally. Refer to vertical lines that show the outside temperature the closest to that during installation (Figure D). Once the panel is correctly positioned, nail it as previously indicated. Redo this step until the end of the row.

Figure D



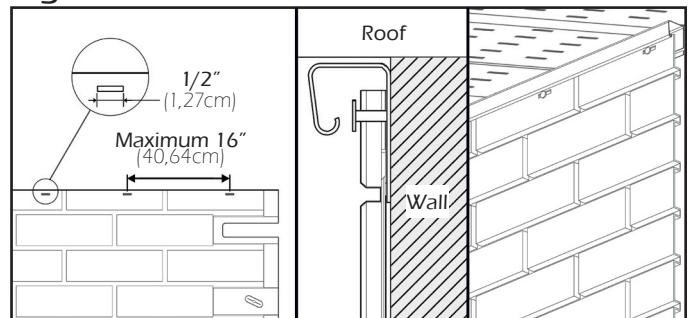
5-Start the second row by cutting the first panel with about 16''(40,6cm) increment from the cutting line of the first row. Be sure to cut at the right place in order to align the panels to keep an authentic effect of a real brick wall. Slide the hooks located at the bottom of the panel into the top of the previously installed row (Figure E). Proceed with this row and subsequent ones following steps 3 and 4 taking care with each new row to alternate the position of the cut on the first panel.

Figure E



6-For the last row or places where you may need to attach siding other than in installation holes at a concealed spot on the panel use a knife to create new 1/2''(1,27cm) slots; the slot must be wider than the nail but not as wide as the nail head. (Figure F) Although not set in installation holes, this type of cutting will allow the expansion/contraction movement of siding.

Figure F



Some elements of the image above were cut to facilitate the understanding.

Note: Do not set accessories directly on the siding. The fasteners must be fixed on a solid surface. If you need to set accessories on siding, at a concealed spot on the panel create a new 1/2''(1,27cm) slot larger than the nail body but smaller than the nail head to permit expansion/contraction of siding.

NOVIKBRICK HL FAUX BRICK INSTALLATION GUIDE



BARRON
DESIGNS

DECORATIVE CORNERS INSTALLATION

1-Installation of these decorative corners may begin after you have finished installing the starter strips on two adjacent walls. Note: To ensure optimal installation and appearance, make sure that starter strips of both adjacent walls are at the same height.

2-Install a first corner base on corners of two adjacent walls. Leave a space of about 1/4"(0,64cm) between the bottom of the corner base and the starter strip (Figure G.1). Slide in the first panels of a row at a distance of 1/4"(0,64cm) from the corner base. This will allow for movement caused by expansion or contraction of the material (Figure G.2).

3-Before beginning the next row, check (without attaching the facing) if the height of the corner is level to that of the siding. It may happen that the mortar lines of the corner do not match with those of the panels. Adjust as needed the base height for a better match (Figure H). Fasten corner facings completely only after the two adjacent rows have been completed.

4-Install the next corner base by sliding it behind the previous one (Figure I.1) until it is supported by it (Figure I.2). Fasten the corner base on the corner of the wall and begin the second row. Repeat up to the top of the wall taking care that with each new row, the corner's height lines up with sidings. If needed, cut slightly the lower tabs to adjust the height of corner base.

Figure G

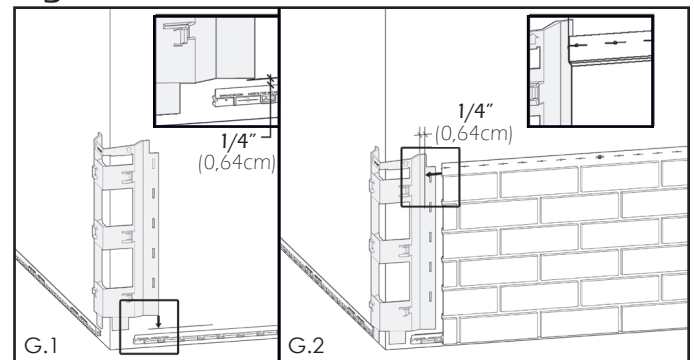


Figure H

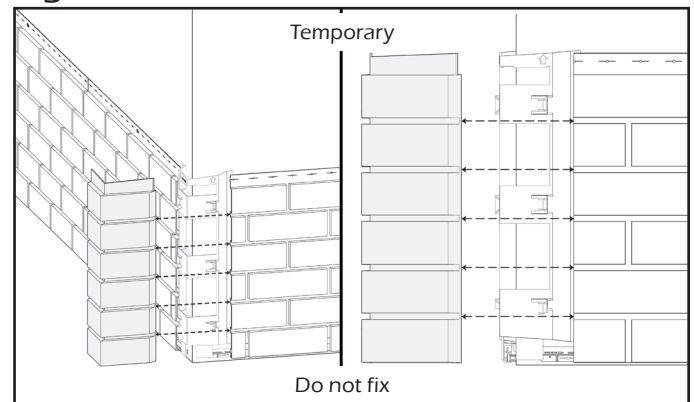
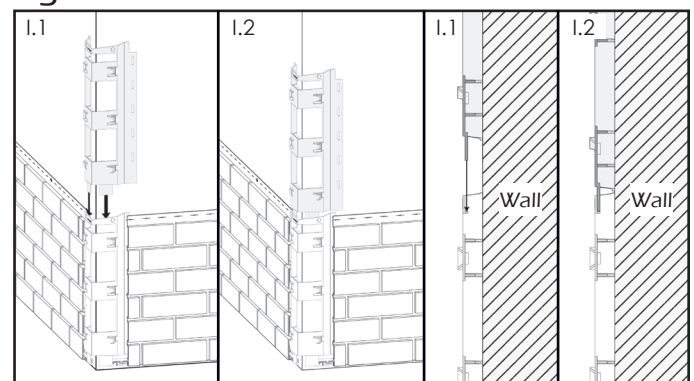


Figure I



NOVIKBRICK HL FAUX BRICK INSTALLATION GUIDE

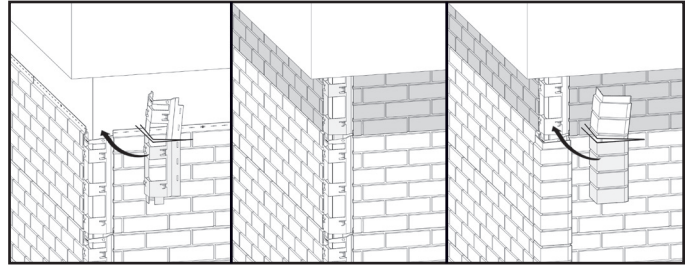


BARRON
DESIGNS

DECORATIVE CORNERS INSTALLATION (CONTINUATION)

5-For the last corner, cut excess from the base and install it on the wall as previously indicated. Also cut the excess of its facing. Install panels of the last row and fasten the last facing on its base (Figure J).

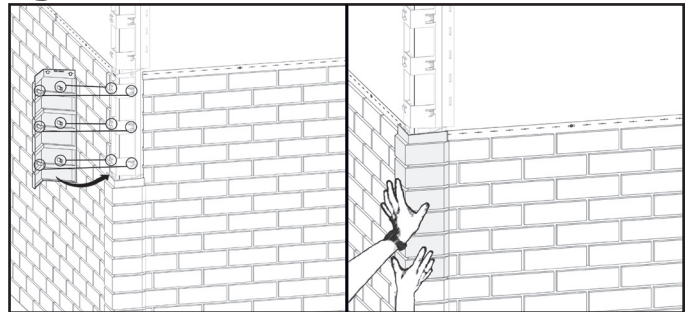
Figure J



6-Once all walls have been completed, fasten the corner facings onto their bases (Figure K).

Tip: Firmly position the clips in their sockets and push evenly with both hands on the front edge of the corner.

Figure K



INSTALLATION TIP (INSIDE CORNERS)

1-Many solutions are possible to finish an inside corner: inside corner post (A), two J-trims (B) or two Novik Two-Piece Trims (C) (Figure L). It is important to seal the inside corner of the wall prior to installation the trims.

Figure L

