

## **WARNING!**

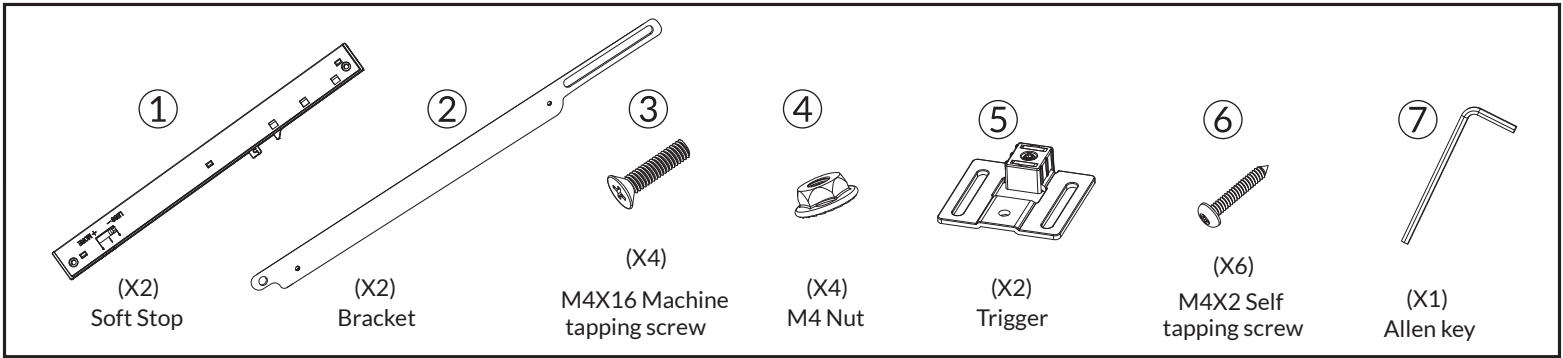
- Failure to wear proper safety gear (i.e., eye protection) may result in serious injury or death. Always wear proper safety gear before using power tools.
- Improper operation of power tools may result in loss of control, serious injury or death. Always ensure you have complete control of the power tool and the work area is free of hazards before operating any tool.
- Lack of secure clamping of the door may result in unexpected movement of the door, loss of power tool control and serious injury or death. Always securely clamp the door in place before cutting or drilling the door.
- Lack of nor improperly installed Anti-jump Disc may result in the door coming off the track and cause serious injury or death. Installation of Anti-jump Disks is required for the safe operation of this hardware. Installed correctly, these discs will keep the door securely attached to the track.

## **!CAUTION!**

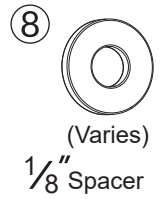
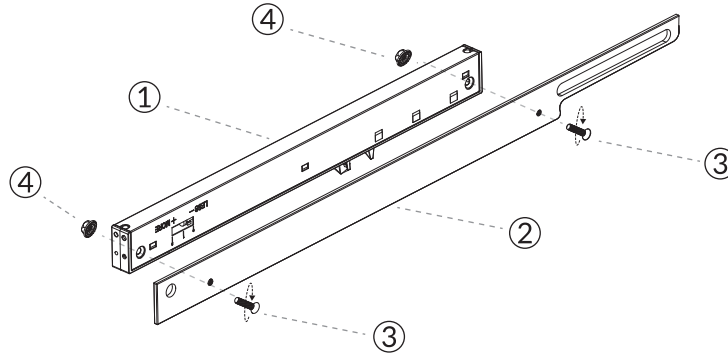
- Mishandling of heavy objects (i.e., doors) may cause a loss of balance and severe injury. Always be sure you have a secure hold on the item and that the objects are balanced before moving. Always wear safety shoes when lifting heavy objects.
- Getting body parts (i.e., hair, fingers) caught in moving parts may cause pinching and severe injury. Do not put fingers in parts that may move and always remove or contain anything on your body that may become entangled with a moving part.
- Closing sliding doors with your hand on the end of the door may result in your hand or fingers, getting caught between the door and other solid objects (i.e., another door, molding), causing severe injury. Always use the door handle to operate doors.

**NOTICE:** Use of excessive force when opening and closing the door(s) may damage the hardware. Always hold the handle and gently open and close the door(s).

For detailed instructions go to [bit.ly/soft-stop](http://bit.ly/soft-stop)

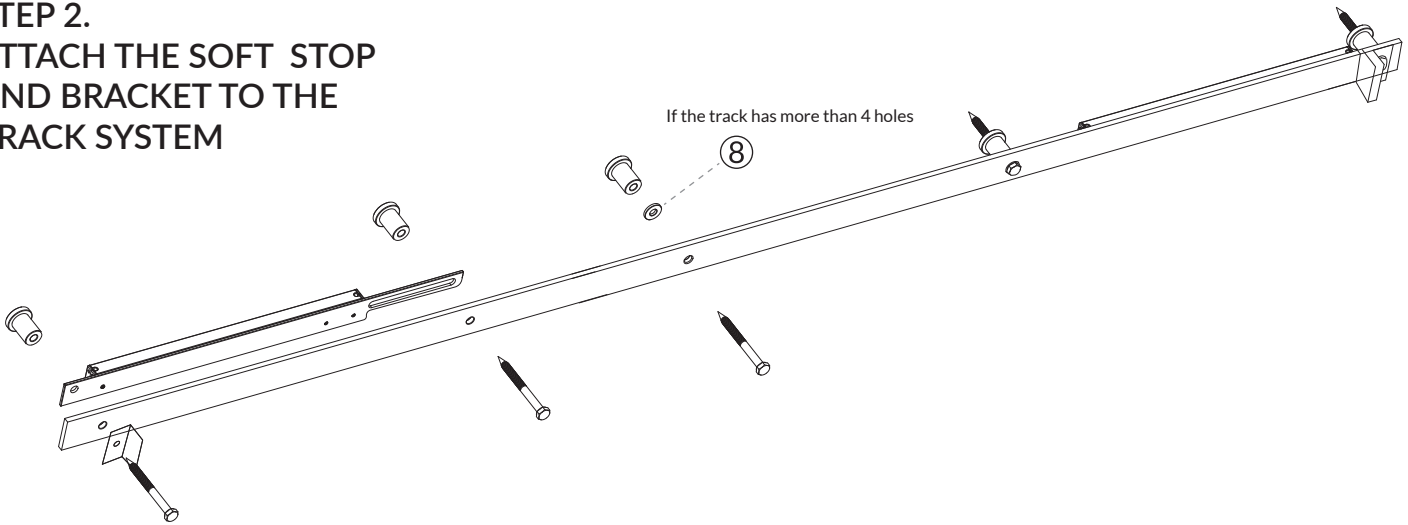


## STEP 1. ATTACH THE SOFT STOP TO THE BRACKET



Note: 1/8" Spacers are only needed for tracks with more than 4 holes.

## STEP 2. ATTACH THE SOFT STOP AND BRACKET TO THE TRACK SYSTEM



## STEP 3. ATTACH THE TRACK TO THE WALL OR LEDGER BOARD.

HANG THE DOOR AND MOVE IT TO THE END OF THE TRACK OR DESIRED POSITION.

ATTACH THE TRIGGER BETWEEN THE TABS OF THE ACTUATOR. ADJUST THE TRIGGER HEIGHT IF NEEDED.

